



NXL-OPC

OUTDOOR PHOTOCELL INTEGRATION PANEL

OVERVIEW

The NexLight® NXL-OPC Accessory Panel is designed to easily allow for the addition of an outdoor photocell into a NexLight Lighting Control System. The small enclosure can easily be mounted near the outdoor photocell, minimizing the line voltage run lengths. This is a multi-voltage solution that simplifies installation for the installing contractor. This panel includes a Surface Mount NEMA/Type 1 Enclosure with a flat cover secured by screws.

SPECIFICATIONS

Physical

NEMA/Type:	1
Mounting:	Surface Mount
Operating Temperature:	14° to 113°F (-10°C to 45°C)

Electrical (Control Wiring)

Input Signal:	24VAC, Class II
---------------	-----------------

Photocell

Activation ON:	1.5 fc
Activation OFF:	4.5 fc
Sensor Time Delay:	Instant ON, 2 to 5 sec OFF
Mount:	Stem and Swivel
Fail Mode:	ON
Input Voltage Range:	120-277VAC, 50/60 Hz
Operating Temperature:	-40° to 158°F (-40°C to 70°C)
Certifications:	UL Title 20: Ansi C136.24 RoHS California Proposition 65 DEHP

FEATURES

- Includes 120/277VAC Outdoor Photocell
- Use with R Series, D Series, or a Custom Panel
- Fully Addressable to Provide Group Control of Relays
- Ability to add a Disable Address for the Outdoor Photocell

ADDITIONAL PANELS

**See individual accessory specification sheet for more information

NXL-R Series	NexLight R Series Relay Panels
NXL-D Series	NexLight D Series Dimming Panels
NXL-RC Series	NexLight RC Series Room Control Panels
NXL-00P5:	Dimming Expansion, (8) Channels of 0-10 Dimming (100mA Sinking per Channel) (8"H x 8"W x 4"D)
NXL-AVI:	A/V Integration, (8) Dry Contact Inputs (8"H x 8"W x 4"D)
NXL-BMS:	BACnet Protocol Conversion Panel for Building Management System (BMS) Integration (12"H x 12"W x 6"D)
NXL-AMP:	Amplifier Panel for NexLight Data Bus, Supports an additional 485 mA of system devices (12"H x 12"W x 6"D)



NXL-OPC



Included Components

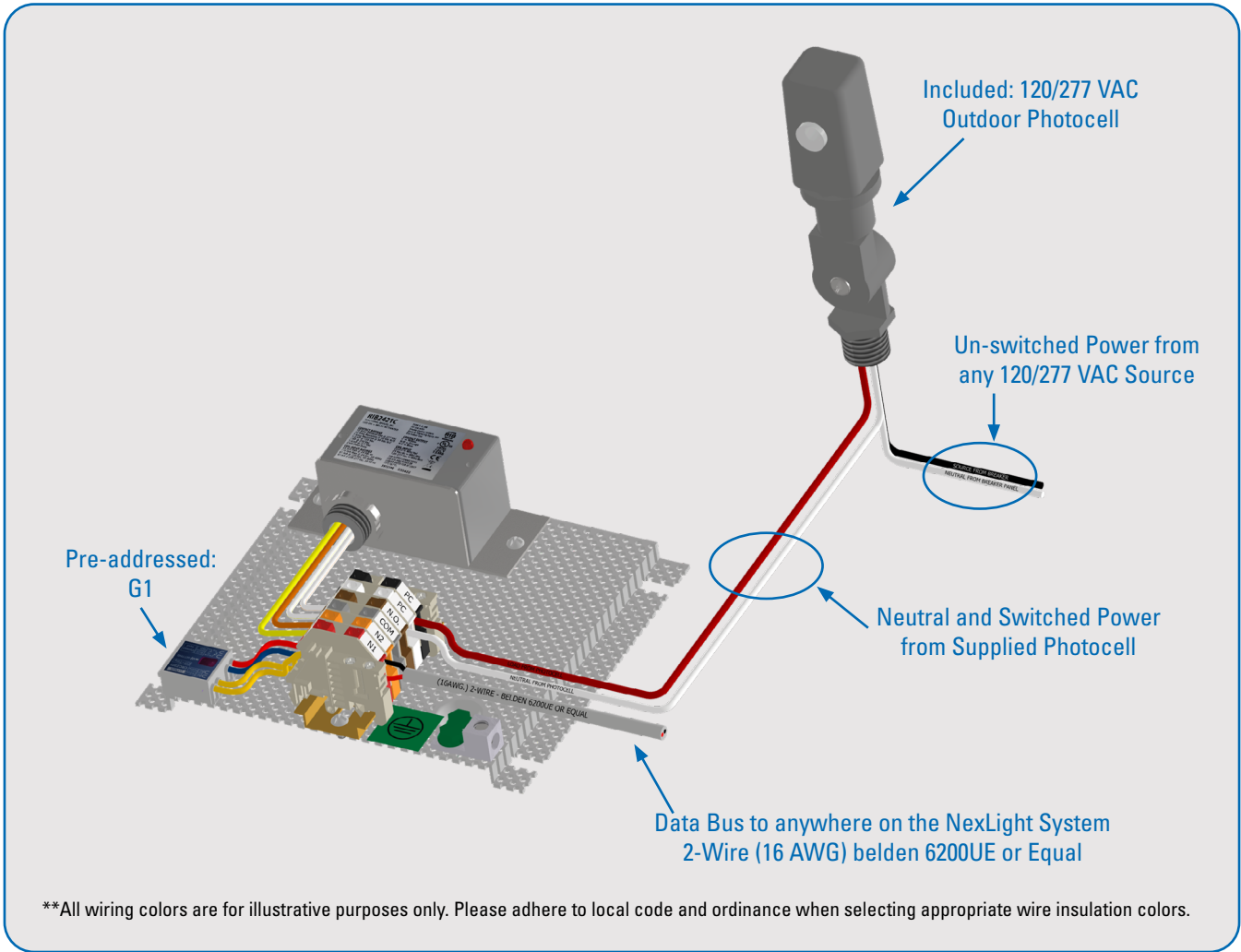
- 1 RIB2421C Enclosed Relay
- 1 CRC2301 Contact Input Tiny
- 1 TB-1-6 Terminal Block Assembly
- 1 PA-80-1 Panel Assembly

- 1 EK4236S Intermatic NightFox Photocell
(Ships loose to be mounted outside panel)

Physical Specifications

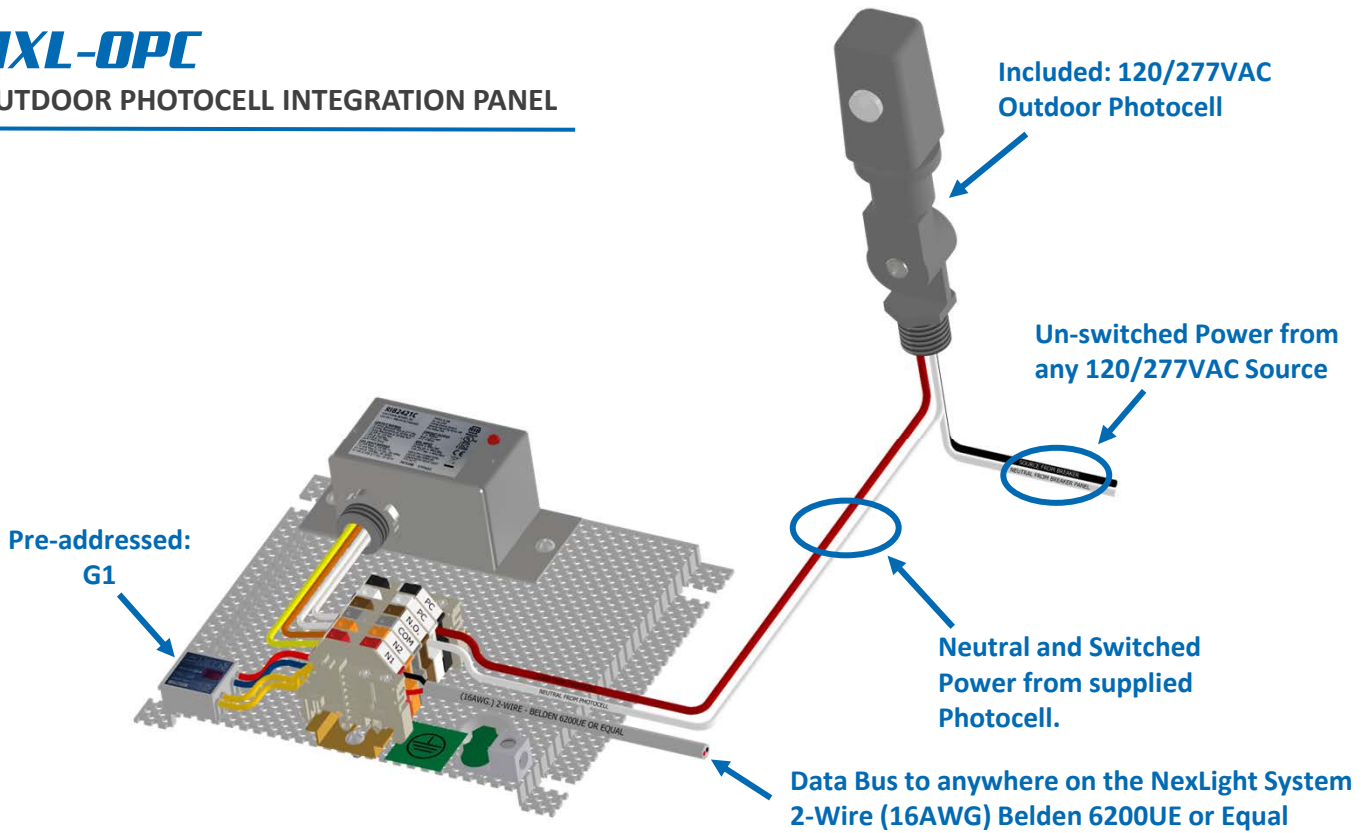
NEMA/Type:	1
Mounting:	Surface Mount
Dimensions:	8.00"H x 8.00"W x 4.00"D
Weight:	6 lbs 0 oz
Addresses Available:	N/A (Requires Main Panel)
Addresses Used:	1 (if using disable address)
mA Available:	N/A (Requires Main Panel)
mA Draw:	3.5 mA
Operating Temperature:	14° to 113°F (-10°C to 45°C)

WIRING DIAGRAM



NXL-OPC

OUTDOOR PHOTOCELL INTEGRATION PANEL



APPLICATION OVERVIEW

The NXL-OPC is an Accessory Panel designed to easily allow the addition of an outdoor photocell into a NexLight Lighting Control System. The small enclosure can easily be mounted near the outdoor photocell, minimizing the line voltage run lengths. This is a multi-voltage solution that simplifies installation for the installing contractor.

APPLICATION HIGHLIGHTS

- Included 120/277VAC Outdoor Photocell
- Use with R Series, D Series or a Custom Panel.
- Fully Addressable to provide group control of relays.
- Ability to add a Disable-Address for the outdoor photocell.

TYPICAL DATA BUS CONNECTIONS

